

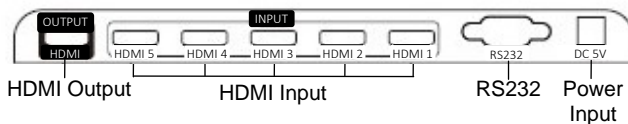
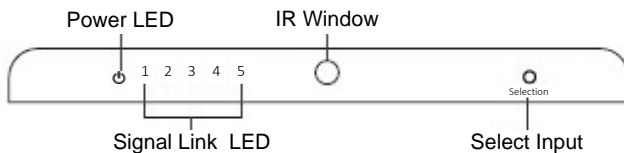
INSTALLATION & SPECIFICATIONS

OMX-HDMI5X1-V2

Switcher Routes 5 HDMI Sources to One HDMI Display

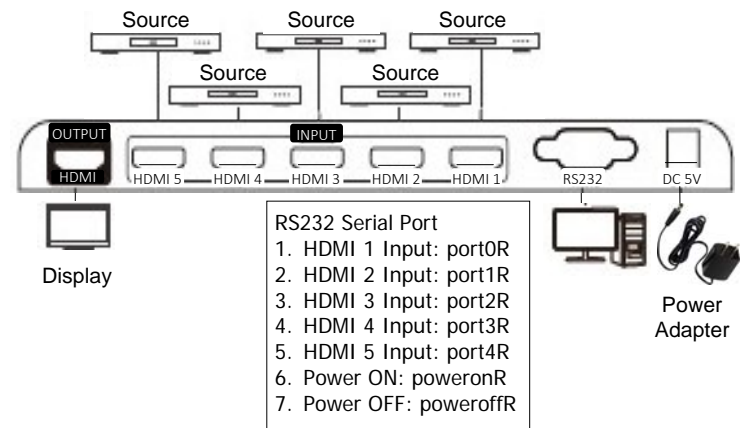
Installation Requirements

1. Source: HDMI video source
2. Display: Display with HDMI port
3. Cable: HDMI cable able to support 4Kx2K



Installation

1. Connect the HDMI video source output ports to the switcher input HDMI ports
2. Connect the HDMI display to the switcher output port
3. Connect the power supply and turn the power on
4. Select a video source using the remote control, Selection button, or through the RS232 port



Includes

1. 5VDC/1A Power Supply
2. Remote Control

Remote Control

1. Use the numbered buttons to select source device
2. Use the < and > buttons to choose channel



Features

- Routes 5 HDMI sources to 1 HDMI display
- Supports HDMI resolution up to 4K x 2K@60HZ and HDMI 3D
- Input signal can be switched by remote control
- Supports bandwidth up to 18Gpbs

Specifications	
Input/Output	5 HDMI Inputs, 1 HDMI Output
Compatibility	DVI1.0, HDMI1.4, HDMI2.0 HDCP1.4, HDCP2.2
Frequency Range	25MHz-600MHz
Video Form	12 Bit Full HD 3D Video 4Kx2K@ 30/60HZ UHD
TMDS Signal	0.5~1.5Vp-p(TMDS)
DDC Signal	5Vp-p(TTL)
Audio	Standard DSD (Direct Stream Digital) HD(HBR)
HDMI Resolution	480i/480p/756i/756p/720p/1080i/1080p/ 4Kx2K@ 24/25/30/60Hz
RS232 Serial Port	Baud Rate: 9600 bps
Power Supply	5VDC/1A
Power Consumption	5W
Dimensions (LxWxH)	3.8x2.3x0.66in
Weight	3.2oz

Troubleshooting

No image output

- Ensure power supply is firmly connected. Only use the 5VDC power adapter included with the unit.
- Check that the HDMI cables are securely connected.
- Check that the display/TV has been set to the proper channel.
- For PC connections via HDMI, set output mode to mirror or extend.

Display is unstable

- Check all connections.
- Connect the HDMI source directly to the display device to ensure there is a signal output. Change the signal source if necessary.
- Use only high-quality HDMI 1.4 and HDMI 2.0 cable for transmitting 4K×2K UHD signal.



SAFETY PRECAUTIONS



1. To prevent fire or shock hazard, do not expose this equipment to high humidity and/or dust. Do not use in an unprotected outdoor installation nor any area classified as overly damp or wet.
2. The temperature for installation should be kept between 32°F to 140°F (0°C to 60°C). Avoid direct sunlight exposure or extreme changes of temperature over a short period of time.
3. Do not disassemble the unit or place it on an unstable base.
4. Do not drop the unit and avoid heavy impact.
5. This unit should not be permanently installed unless proper ventilation is provided. Any enclosure openings must not be blocked or covered as they protect the unit from overheating.
6. Before cleaning, turn off the power and unplug the unit from all connections. Use a damp cloth. Do not use liquid cleaners nor aerosol cleaners.
7. Do not overload outlets and extension cords as this may result in a risk of fire or electric shock.
8. Enclosure entry is dangerous. Never push objects of any kind, including liquids, into this unit through openings as they may touch dangerous voltage points or short-out parts that could result in a fire or electric shock.
9. Do not attempt to open or service this unit yourself as opening or removing covers may expose you to dangerous voltage and other hazards.
10. There are no user-serviceable parts inside the unit. If the unit requires service contact your authorized dealer, or an authorized repair service company.